

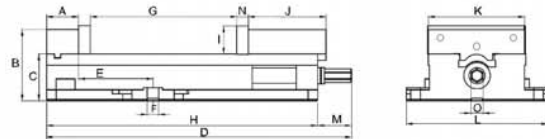
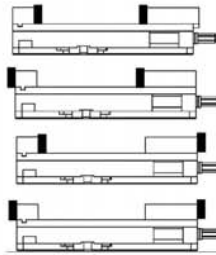
AUTO SUPER

Large Opening Precision Angle Lock Vise

MODEL: AD-695



JAW PLATE POSITION



FEATURES

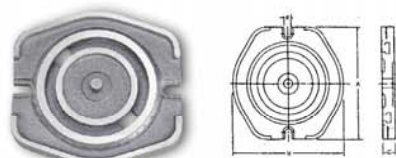
- 1.9.5" large opening.
- 2 Spindle nut does not exceed the end of main body and do not occupy the space.
- 3.Height of main body within $73.025 \pm 0.013\text{mm}$
- 4.Material is FCD.

UNIT	A	B	C	D	E	F	G	H	I	J	K	L	M	N	O
mm	50	110.744	73.025	489	90.4748	18	240	440	44.069	121.92	152.4	220	49.022	18	19
Inch	1.9685	4.36	2.875	19.25	3.562	0.708	9.5	17.3228	1.735	4.8	6	8.66	1.930	0.7086	0.7460

Hydraulic & Inclinable Vise

MODEL:AHT

Different from other conventional milling vise, the angle vise makes angular settings in directions possible. The vertical angle can be setting from 0-50° of your need. Precise angular setting in plan can be read from the mounted scale.

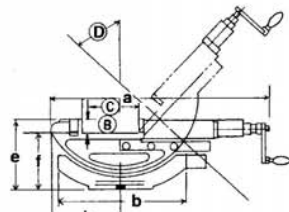
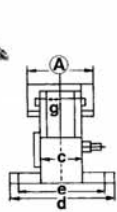


Optional Accessories



Swivel Base

MODEL	Unit/mm			Weight(kg)
	A	B	C	
SB-402	240	222	25	7
SB-602	330	310	35	16

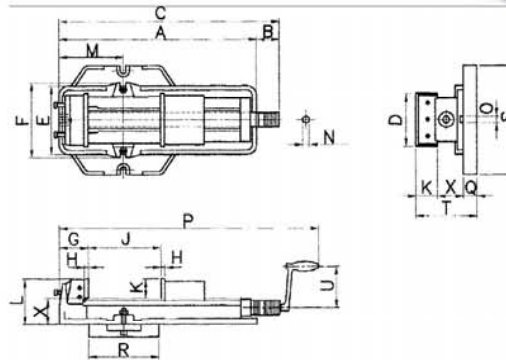
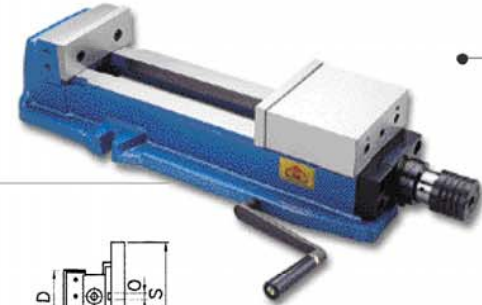


MODEL NO	Unit/mm												Max Clamp force (kgf)	Weight(kg)	
	A	B	C	D	a	b	c	d	e	f	g	h		Body	Swivel Base
	AHT-4	100	36	0-170	50°	505	325	65	160	177	141	80			
AHT-6	150	53	0-300	50°	775	410	95	240	237	186	100	240	67	16	

Max. Opening Hydraulic Vise

MODEL: BLV

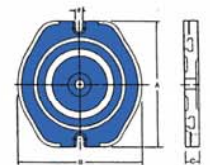
Max.Jaws Opening:
BLV-160:335mm
BLV-200:360mm



Optional Accessories



Swivel Base

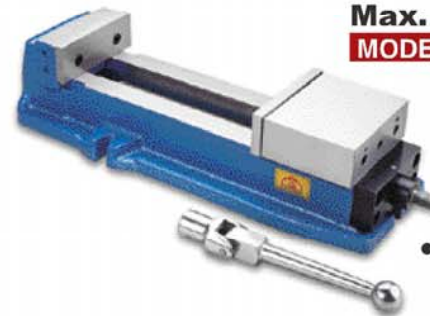


MODEL	Unit/mm			Weight(kg)
	A	B	C	
BLA-160B	280	266	32	12
BLA-200B	330	310	35	16

Max. Opening Mechanical Machine Vise

MODEL: LVA

Max.Jaws Opening:
LVA-160:335mm
LVA-200:360mm



MODEL NO	Unit/mm																				
	A	B	C	D	E	F	G	H	J	K	L	M	N	O	P	Q	R	S	T	X	
BLV-160	600	100	700	160	210	240	100	15	0-335	58	140	190	14	16	810	38	320	340	178	130	82
BLV-200	700	100	800	200	240	280	150	18	0-360	63	163	265	14	18	930	46	365	400	205	130	100
LVA-160	600	66	666	160	210	240	100	15	0-335	58	140	190	19	18	689	38	320	340	178	230	82
LVA-200	700	66	766	200	240	280	150	18	0-360	63	163	265	19	18	780	46	365	400	205	230	100