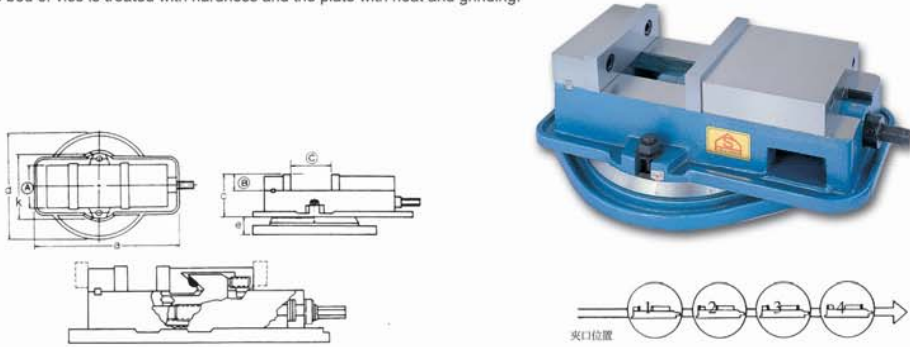


AUTO SUPER

Precision Angle Lock Vise

MODEL:CH

- 1.The vice-plate position will be varified and increased the useage range according to the following.
- 2.The bed of vise is treated with hardness and the plate with heat and grinding.

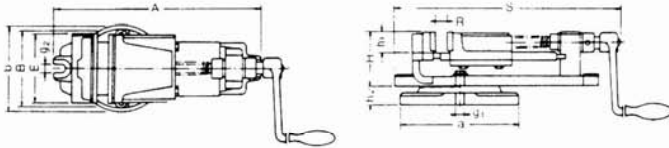


MODEL	(A)	(B)	(C)	a	k	c	d	e	G.W(kg)
CH-4	100	36	100	340	165	96	243	31	20
CH-6	150	44	150	460	209	119	328	39	40
CH-8	200	62	200	580	295	147	416	45	80

K-Type Milling Vise

MODEL:KV

- 1.Body, movable jaw and swivel base made of close-grained high tensile iron casting.Built for heavy dute machining and retained accuracy.
- 2.Jaw plates of hardened and ground tool steel.
- 3.It's the most suitable for the Milling, Grinding and Drilling.



MODEL	E	A	B	H	R	S	a	b	h1	h2	g1	g2	G.W(kg)
KV-4	100	267	106	75	62	295	160	114	30	25	13	13	10
KV-6	150	421	160	105	114	462	245	175	40	40	16	16	27
KV-8	200	576	215	144	150	620	340	230	58	45	18	18	57

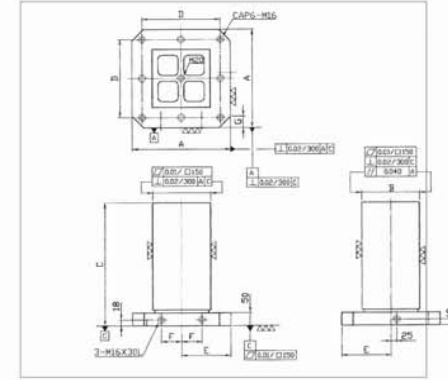
MC TOOLING BLOCKS (4 FACE TYPE)

MODEL:AJB-HB

FEATURES

- 1.Material: FC300
- 2.Heat-treatment-Annealing
- 3.One piece casting of bed and column.

Parallelin $\pm 0.02/300\text{mm}$
Squareness $\pm 0.02/300\text{mm}$



MODEL/ORDER NO.	A	B	C	D	E	F	G	N.W.	REMARK
AJB-400 × 250 × 500HB	400	250	500	320	200	55	50	213	
AJB-500 × 300 × 600HB	500	300	600	400	250	75	60	293	
AJB-500 × 350 × 550HB	500	350	550	400	250	75	60	365	
AJB-630 × 350 × 700HB	630	350	700	500	315	100	65	473	
AJB-630 × 400 × 700HB	630	400	700	500	315	100	65	522	
AJB-630 × 500 × 700HB	630	500	700	500	315	100	65	575	
AJB-800 × 550 × 850HB	800	550	850	640	400	135	80	835	

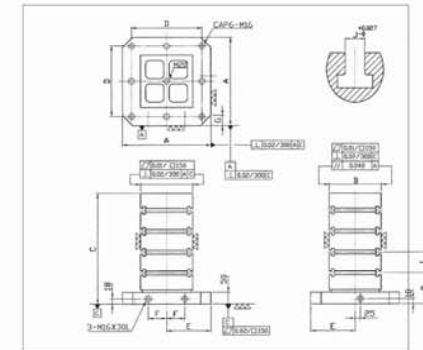
MC TOOLING BLOCKS (4 FACE TYPE-T-SLOTS)

MODEL:AJB-TT-TL

FEATURES

- 1.Material: FC300
- 2.Heat-treatment-Annealing
- 3.One piece casting of bed and column.

Parallelin $\pm 0.02/300\text{mm}$
Squareness $\pm 0.02/300\text{mm}$



MODEL ORDER NO.	A	B	C	D	E	F	G	H	I	J	N.W.	REMARK
AJB-400 × 250X500TT	400	250	500	320	200	55	50	150	100 × 4	14	210	
AJB-500 × 300X600TT	500	300	600	400	250	75	60	150	100 × 5	14	290	
AJB-500 × 350X550TT	500	350	550	400	250	75	60	150	100 × 4	14	362	
AJB-630 × 350X700TT	630	350	700	500	315	100	65	150	100 × 5	14	470	
AJB-630 × 400X700TT	630	400	700	500	315	100	65	150	100 × 5	14	515	
AJB-630 × 500X700TT	630	500	700	500	315	100	65	150	100 × 5	14	595	
AJB-800 × 550X850TT	800	550	850	640	400	135	80	150	100 × 5	14	951	
AJB-400 × 250X500TL	400	250	500	320	200	55	50	150	100 × 4	18	209	
AJB-500 × 300X600TL	500	300	600	400	250	75	60	150	100 × 5	18	289	
AJB-500 × 350X550TL	500	350	550	400	250	75	60	150	100 × 4	18	360	
AJB-630 × 350X700TL	630	350	700	500	315	100	65	150	100 × 5	18	468	
AJB-630 × 400X700TL	630	400	700	500	315	100	65	150	100 × 5	18	513	
AJB-630 × 500X700TL	630	500	700	500	315	100	65	150	100 × 5	18	592	
AJB-800 × 550X850TL	800	550	850	640	400	135	80	150	100 × 5	18	947	