

Heavy Duty Precision Vise

MODEL:KR

FEATURES

1. Stationary front jaw.
2. The back jaw moves along with the slide reducing the tendency towards deflection preventing the workpieces from tilting.
3. Jaws and body are steel construction.
4. Hardend & ground on all sliding and contacting surface.
5. Ideal for CNC application.

FEATURES

1. Jaw width....145mm(6")
2. Jaw opening....210mm(8-1/2")
3. Jaw depth....48mm(1-7/8")
4. Overall height....127mm(5")
5. Net weight(w/o swivel base)....42kgs

MODEL	A	B	C	D	E	F	G	H	I	J
KR-6	360	630	48	127	210	18	145	160	198	19

A-Type Milling Vise

MODEL:AT

FEATURES

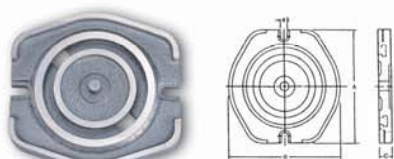
1. Vice body made from high grade iron for rigidity.
2. Low overall height.
3. Moving Jaw runs in long prismatic slides with provision for wear adjustment.
4. Hardened and ground steel jaw plates supplied as standard.
5. Totally enclosed ACME screw with phosphor bronze nut.
6. Supplied complete with drop forged handle.
7. Adjustable positioner.
8. Optional Swivel base.

MODEL:AT-150

SPECIFICATION

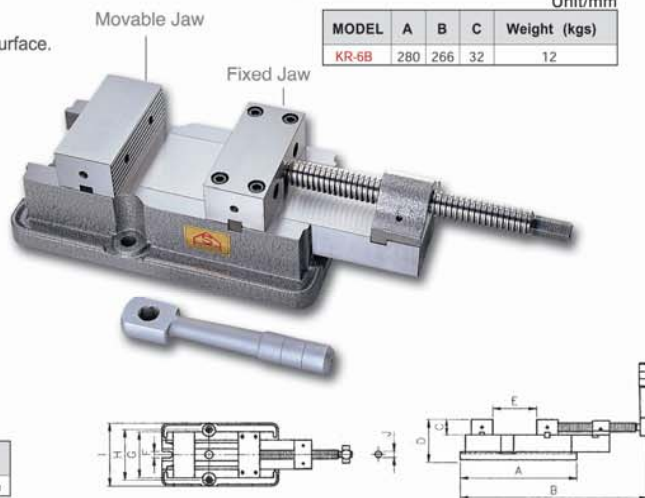
Width of jaws	150 mm
Max jaw opening	165 mm
Depth of jaws	50 mm
Overall size of base	440x220 mm
Overall height	100 mm
Clamp bolt centres	195x395 mm
Net Weight	35 kgs

Optional Accessories



Swivel Base

MODEL	A	B	C	Weight (kgs)
KR-6B	280	266	32	12

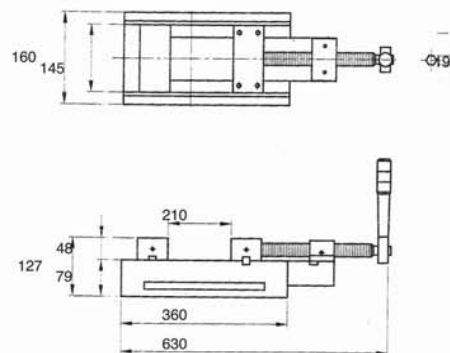


Heavy Duty Precision Horizontal Vise

MODEL:KR-6G

FEATURES

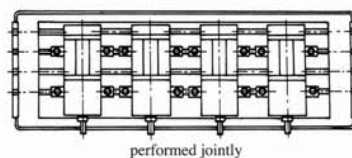
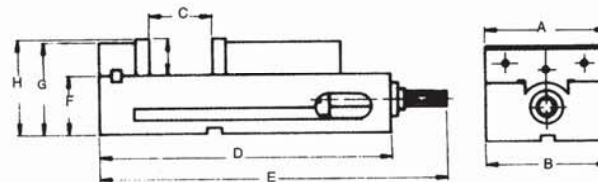
1. Stationary front jaw.
2. The back jaw moves along with the slide reducing the tendency towards deflection preventing the workpieces from tilting.
3. Jaws and body are steel construction.
4. Hardend & ground on all sliding and contacting surface.
5. Ideal for CNC application.



Horizontal Angle Lock Vise

MODEL:CR

- A: With the ability of lock-fixed III 2,3,4,5...
 B: Use the semi-sphere segment principle.
 C: When operate several vises (in a row) put on one machining bed, the using



MODEL	JAW WIDTH	LENGTH	HEIGHT	JAW HEIGHT	JAW OPENING	KEY	WEIGHT(kg)
CR-4	100	330	96	36	100	16	12.5
CR-6	150	425	120	44	150	16	27

Unit/mm